



**Building the  
21st Century  
GREEN  
*SuperWay*<sup>TM</sup>**

**The Genesis of ROAM's *SuperWay***

**ROAM Transport Systems, Fort Worth, Texas**

SuperWay, MegaWay, CargoWay, MicroWay, CarLiner, CarFerry, SkyCoach, CargoLiner, WhisperLiner, MegaLiner, & PersonLiner are trademarks of ROAM Transport Systems  
U.S. PATS. 6,039,135, 6,401,625, 6,435,100, 6,615,740, 6,742,458, 6,834,595, 6,837,167, & 7,926,425 B2  
OTHER U.S. & INTERNATIONAL PATENTS PENDING

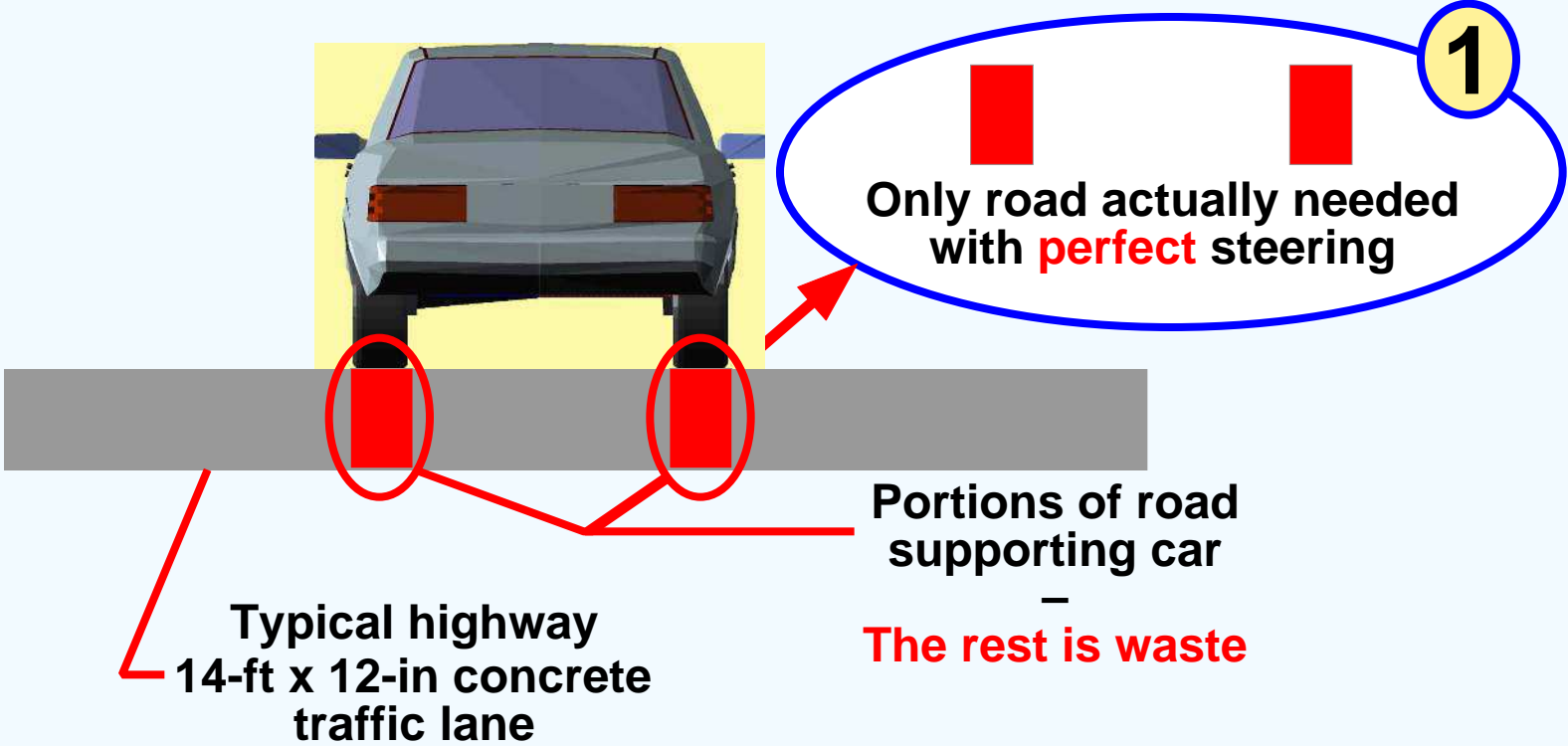
ROAM graphics & photos

ROAM® is a registered trademark of XIP,LLC licensed to ROAM Transport Systems

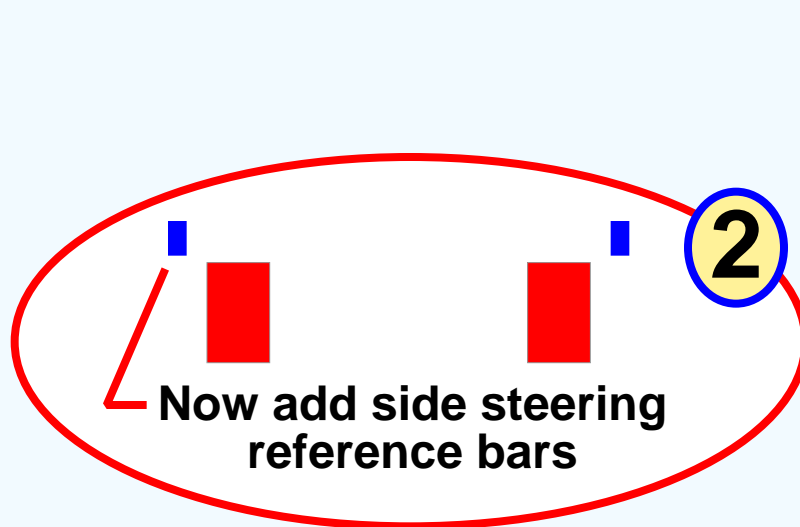
© Reg. U.S. Pat. & Tm. Off.

6-8-15

# Step 1 – Analyze Road & Actual Road Need

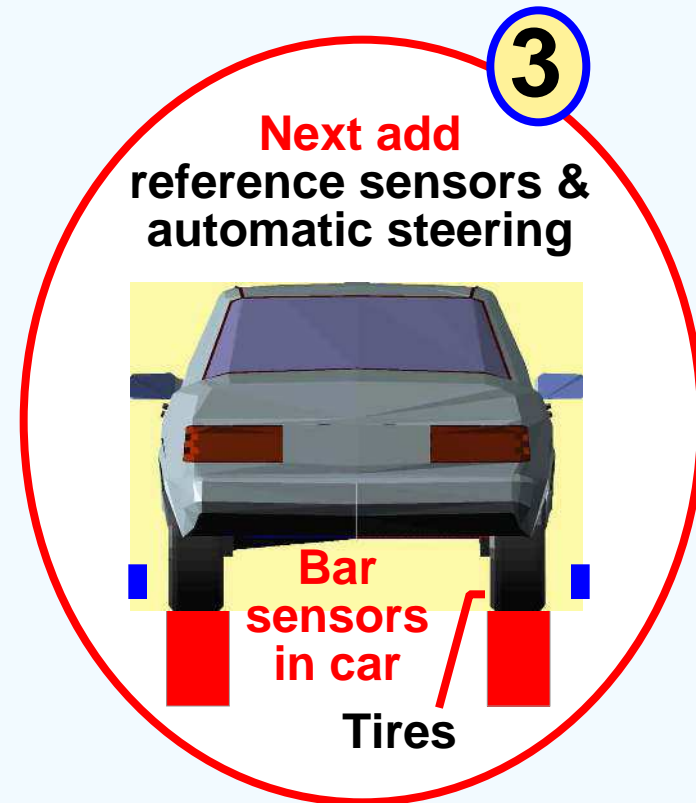


# Steps 2 & 3 – Add Automatic Steering



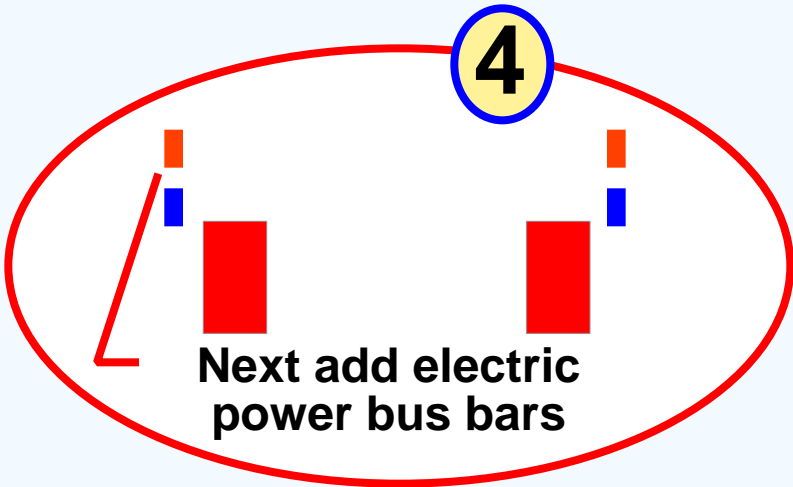
U.S. Government spent several million dollars on AHS projects attempting to accomplish this objective

—  
**Without practical success!**



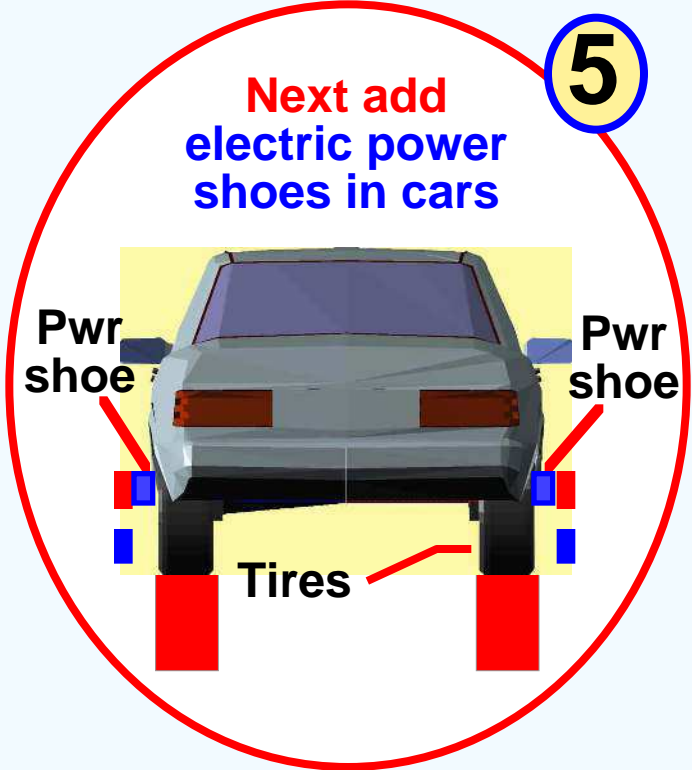
Cars can now run & remain on the two narrow highway strips

# Steps 4 & 5 – Add Electric Buses & Shoes



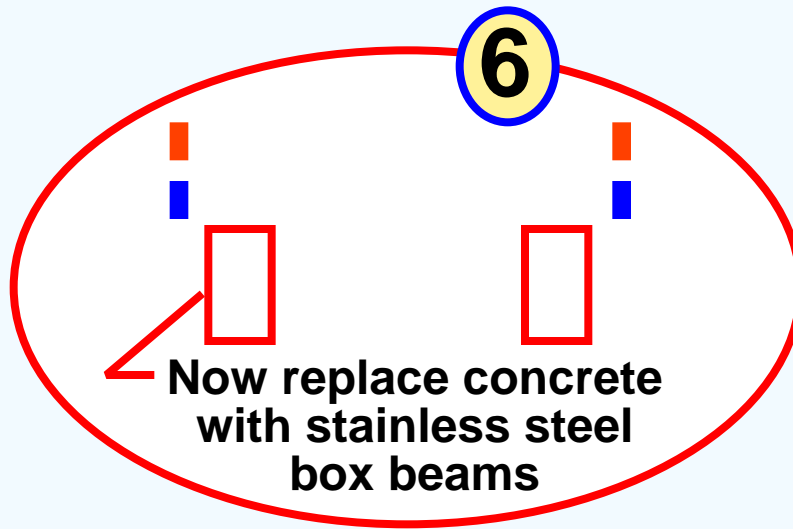
Now we can power cars with **electricity**

**We now have a Green Freeway**



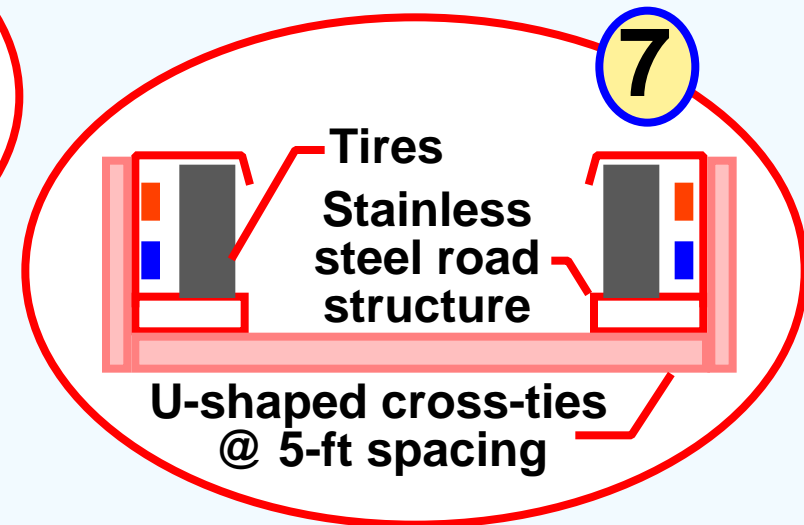
We can now use battery-electric cars!

# Steps 6 & 7– Replace Concrete with Steel



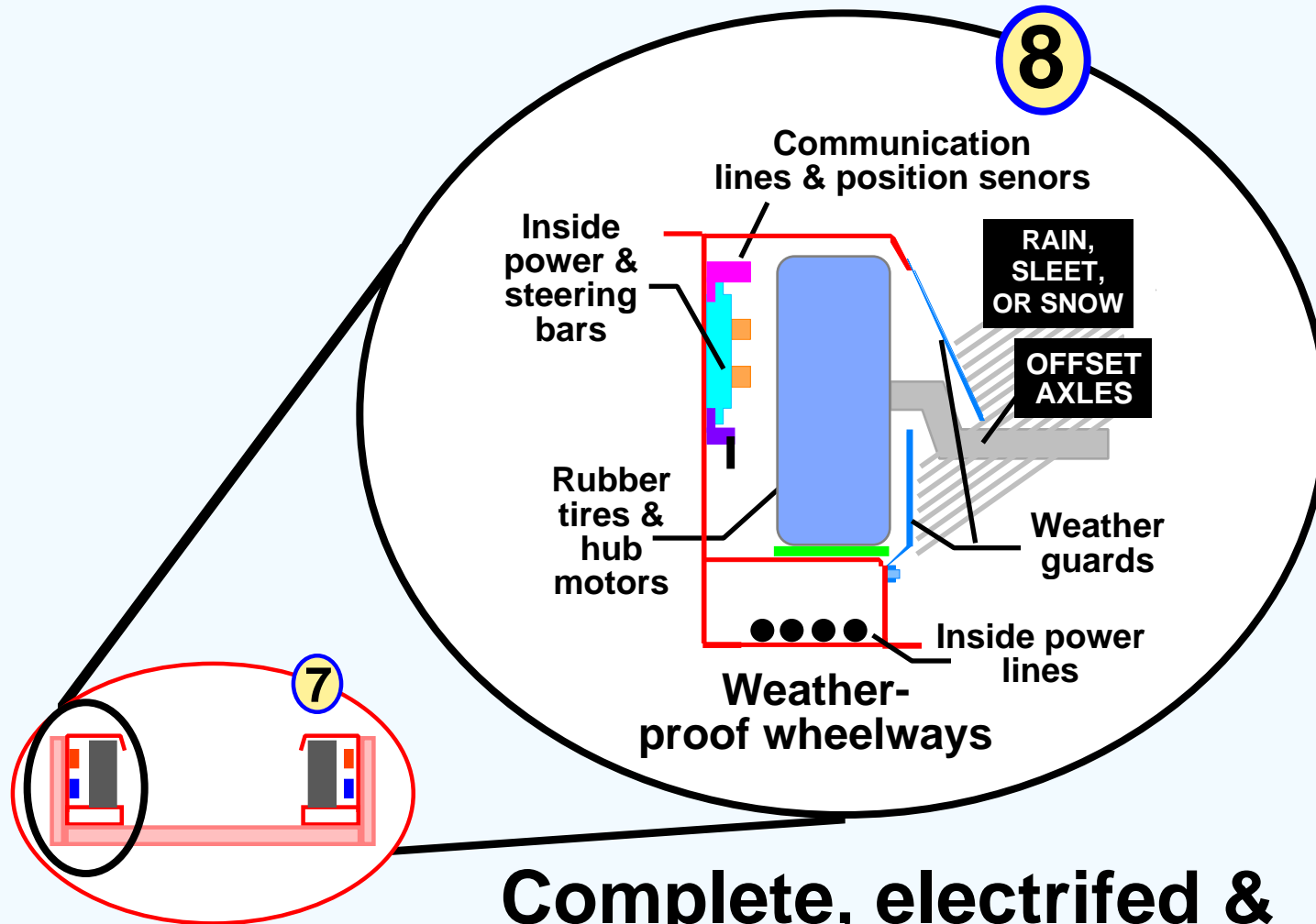
**Factory-built stainless steel beams to reduce cost & extend life**

Next re-shape beams to improve structure & support side bars



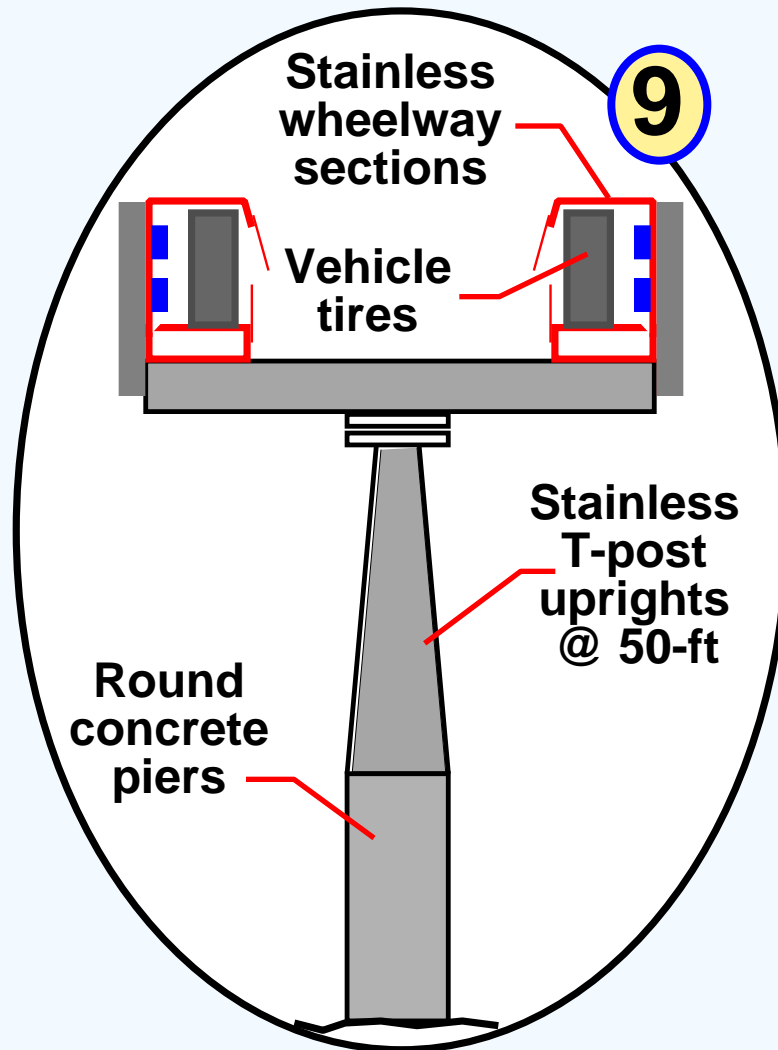
**Next, mass-produce 50-ft steel road sections**

# Step 8 – Weather-proof Road Wheelways



**Complete, electrified & weather-proof wheelways**

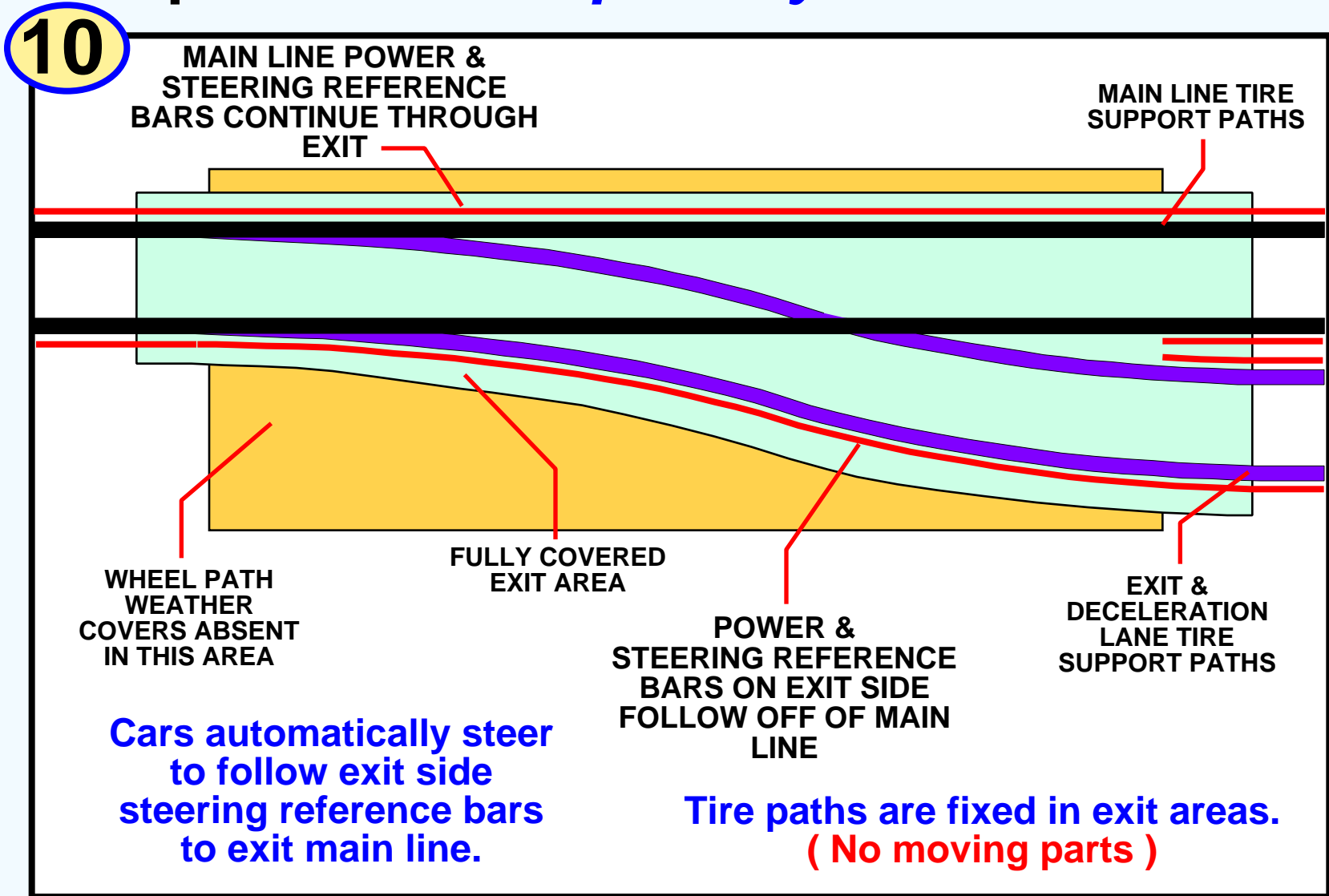
## Step 9 – Elevate Factory-built Roadway



We now elevate it & have one side of a 21st century electrified, elevated *SuperWay*

We can install it over and along current highways / freeways **without** interfering with existent traffic

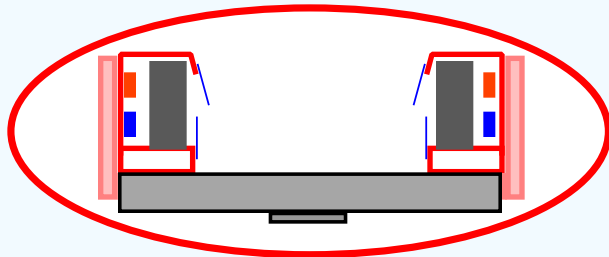
# Step 10 – Add *SuperWay* Entries & Exits



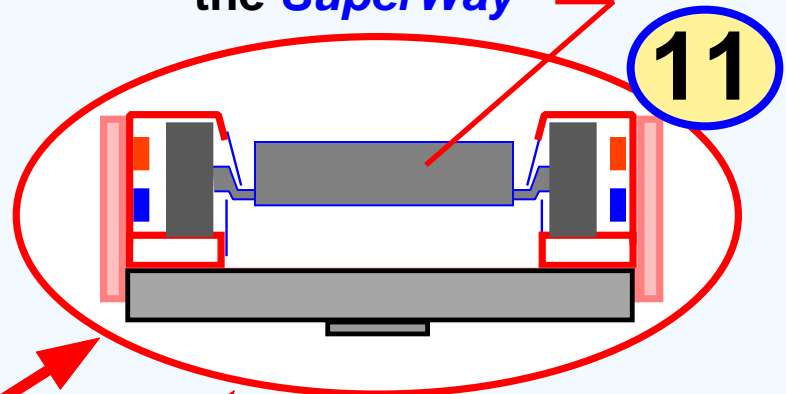


# But we *Must* Move *Current* Cars & Cargo

Now to make the *SuperWay* useful



We build electrified carrier with auto steering to run on the *SuperWay*



**Base vehicle can carry any unit**

Automobile load & carry unit

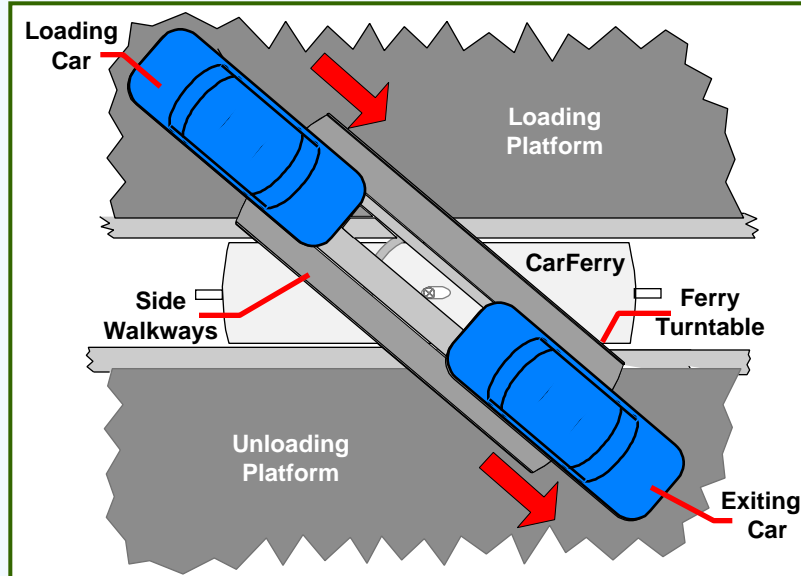
Cargo container carriage unit

Passenger cabin unit

# CarFerries™ Load & Carry Today's Cars

1-min load & unload by car drivers at *SuperWay* ramps

Fast load & unload



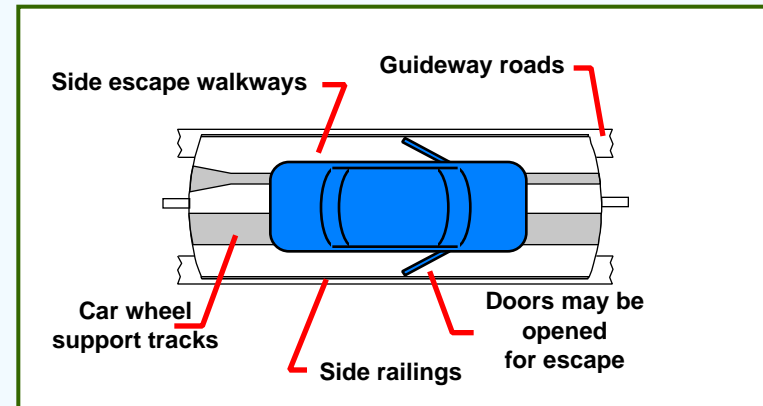
Car drivers drive their cars onto and off of ferries at ramps

Easy as pulling into slant parking space or car wash

Car wheels automatically locked into place on ferry to hold car

- People use their *current* & future electric cars
- *Skycoaches* move those who don't need cars

Individual *CarFerry* Safety Features

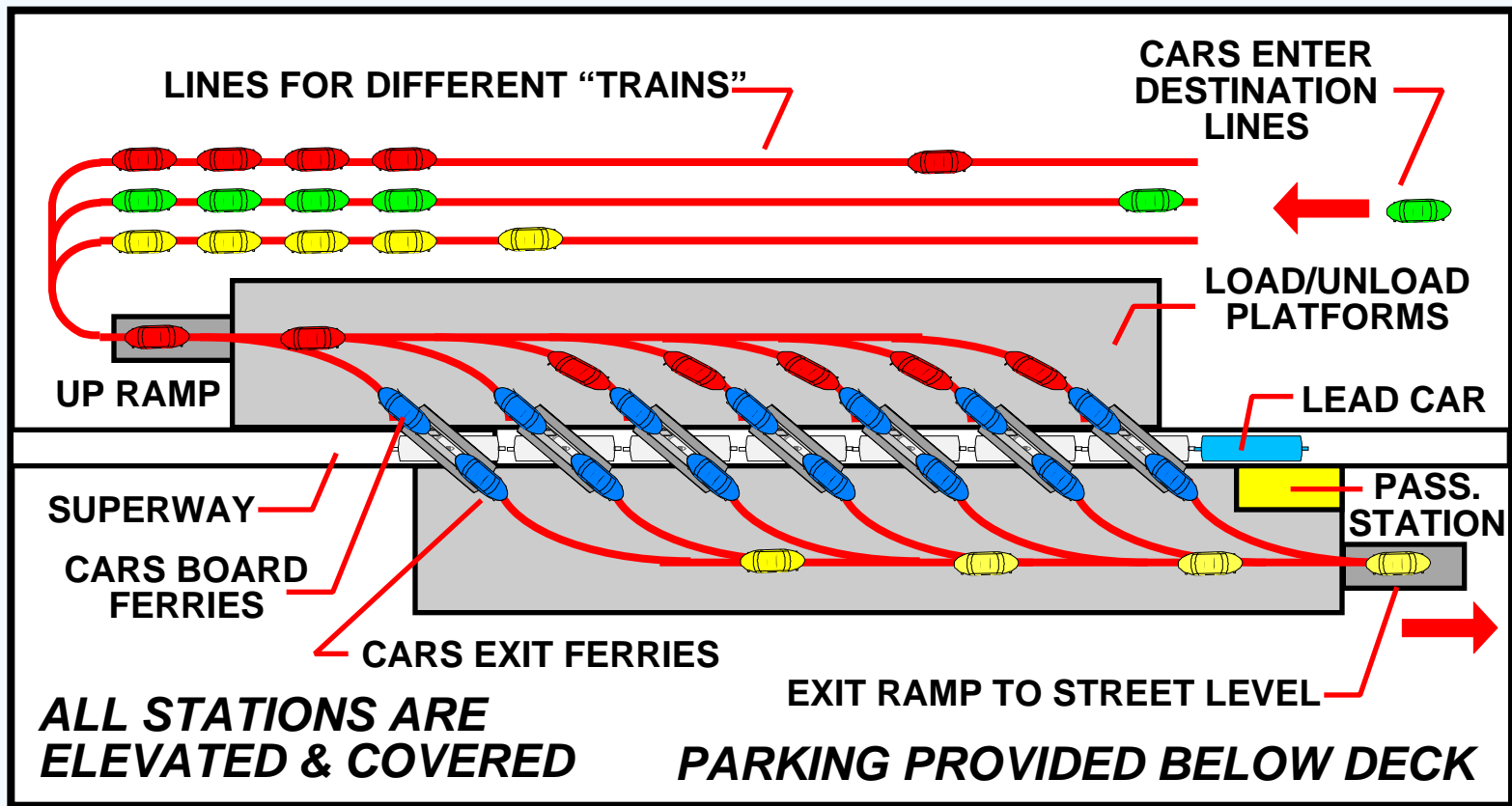


Ferry walkways enable passengers to access *SuperWay* center emergency walkways

Only system that can take cars off of the roads

# Initial *Carliner*™ “trains” carry cars & people

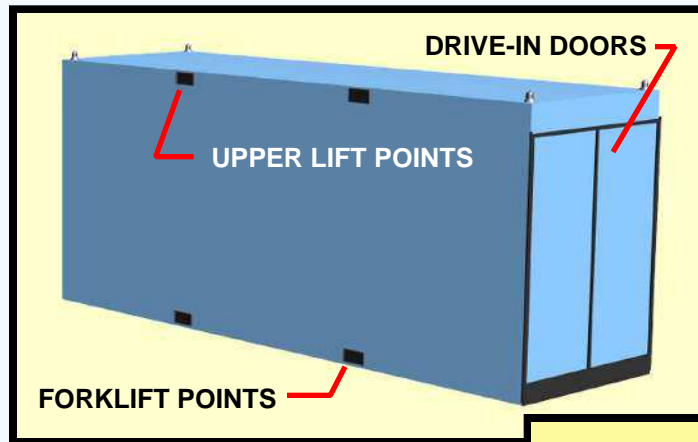
*Carliner* “trains,” shown at station below, used for current cars



Drivers enter line for desired route or destination  
 ( “Trains” may take different *SuperWay* routes )

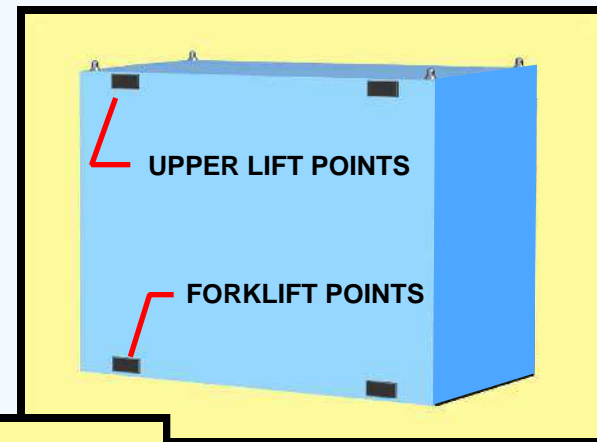
# Most Cargo Easily Fits in Shipping Modules

**Load & unload with standard forklifts – Forklifts also move modules**

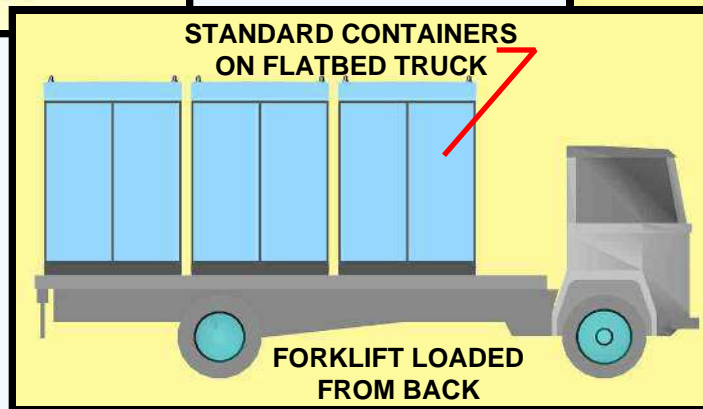


**Minimum cargo handling**

**Forklift compatible modules**



**Double containers moved on cargo carriers or flatbed trucks**

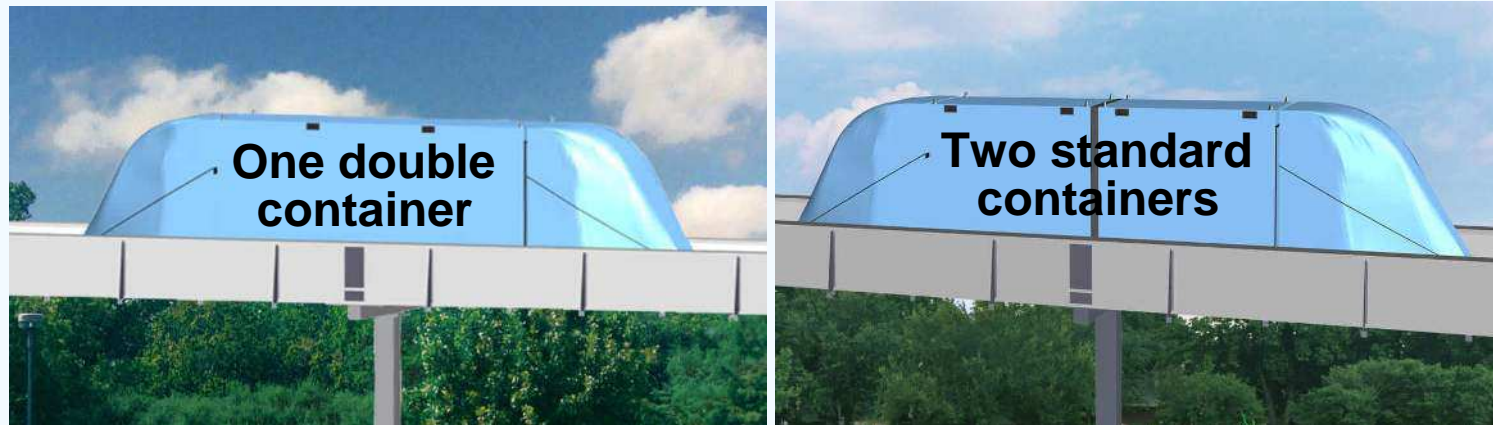


**Standard containers moved on cargo carriers or flatbed trucks**

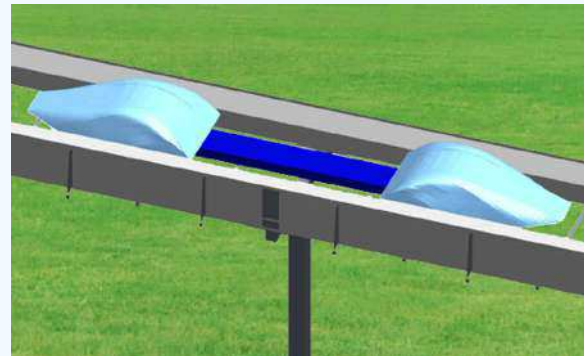
**Local or long distance transport on trucks**

**Can remove most box trucks from roads**

# Containers Ride on Streamlined Carriers



**Carriers transport standard or double containers**



**Empty carrier end caps fold for minimum drag**

**High-speed Cargo Containers on *SuperWay*  
( Future automated, non-stop terminal to terminal transport )**

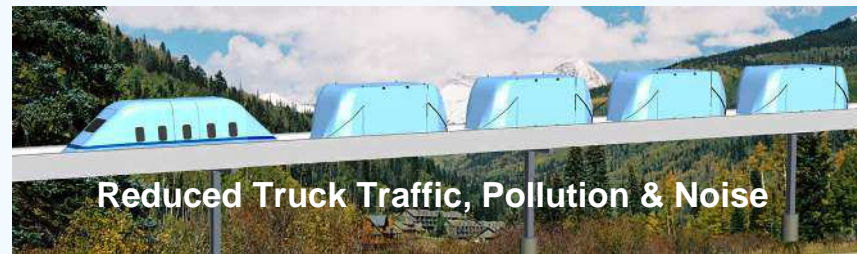
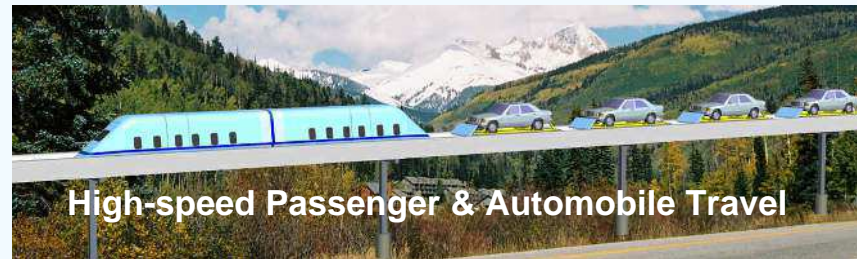
# Major End Results

## Current Freeways



- Clogged Roads
- Traffic Jams
- Weather Closures
- High Pollution

## Twenty-first Century *SuperWay*



- Smooth, Computer Control
- *No Traffic Jams*
- All-Weather Operation
- Low Pollution - Cleaner Air

**Plus far Lower Initial & Maintenance Costs**

# For High Speed Rail Service



- Runs on same low-cost, low-maintenance, elevated **SuperWays**
- **Silent & zero air pollution operation** – *No more landscape scars*
- No added right of ways, freeway lanes, or freight rail impacts

# *SuperWay* Features

- Rubber-tired – but improved vehicles
- Stainless-steel road – Near zero maintenance
- Automatic steering – *Fail-safe* microcomputers
- Electrified road – Can **replace fossil fuel with electricity**
- *Precise speed & position data* – **Allow safe control**
- Weather-proof road – **Full-speed, all-weather use**
- Full grade separation – No obstructions (animals, etc.)
- High-speed capability – **Safe 120-mph possible**
- Capacity increase – **High speed & close spacing**

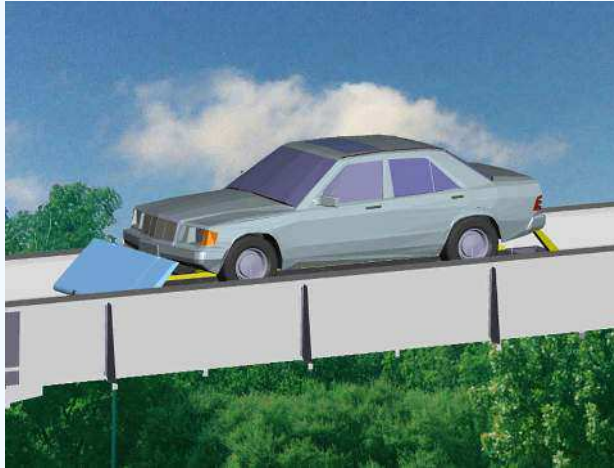


## ***SuperWay* Benefits**

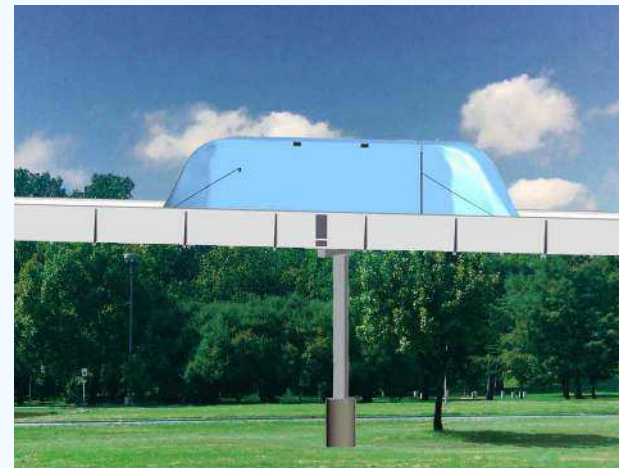
- **Automobiles** – Serves **both** current & advanced cars
- **Truck Cargo** – Moves most heavy box truck cargo **at 120-mph**
- **Driving** – **Ends driving tasks** – Fully automatic vehicles
- **No weather or traffic problems**
- **Accident-free travel** – Computers + mechanical backup
- **One lane each way** – **Exceeds 6-lane freeway capacity**
- **120-mph speed** – “High speed rail capability”
- **20% current freeway cost** – Without more land

# Future *Automated* **120-mph** Transport

Four high-value *SuperWay* services



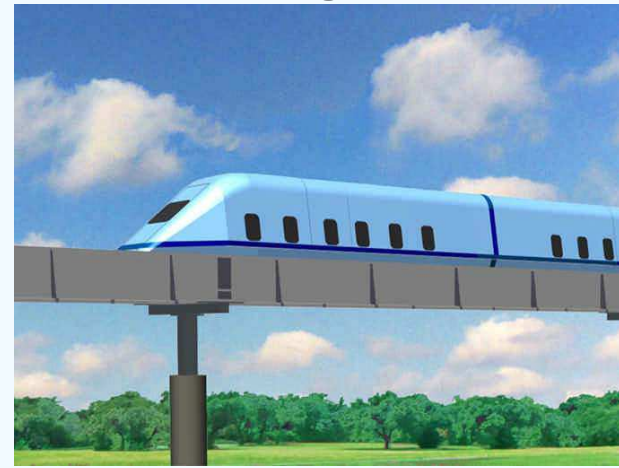
120-mph *CarFerry* service



120-mph cargo transport



120-mph group transport



120-mph passenger "train"

Growth to single *automated* cars – *Within four years*

**Now we have a new type  
of road that is  
the truly GREEN  
21st Century *SuperWay*  
But it is still a road!**



401 West Jim Wright Freeway, Suite 113

Mail Address

**P. O. Box 121728**  
**Fort Worth, Texas 76121**

(817) 738-9507

FAX (817) 367-2373

contact@roamtrans.com

www.roamtrans.com

Revolutionary, High-speed, Multi-user  
21st Century Transport!

- *Unprecedented* level of service
- Low transportation user costs

**Near-term & affordable solution to  
traffic & air pollution problems**

**ROAM® Transport Systems, Fort Worth, Texas**

SuperWay, MegaWay, CargoWay, MicroWay, CarLiner, CarFerry, SkyCoach, CargoLiner, WhisperLiner, MegaLiner, & PersonLiner are trademarks of ROAM Transport Systems

U.S. PATS. 6,039,135, 6,401,625, 6,435,100, 6,615,740, 6,742,458, 6,834,595, 6,837,167, & 7,926,425 B2

OTHER U.S. & INTERNATIONAL PATENTS PENDING